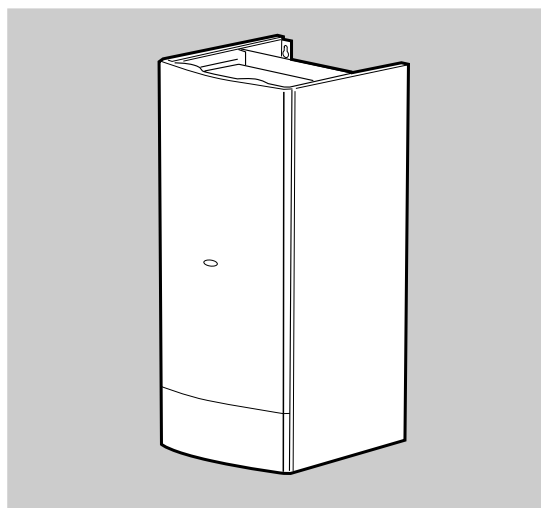


# THE

# HENRAD

# USERS

# GUIDE



## *C80 FF*

the combi boiler

## *C95 FF*

the combi boiler

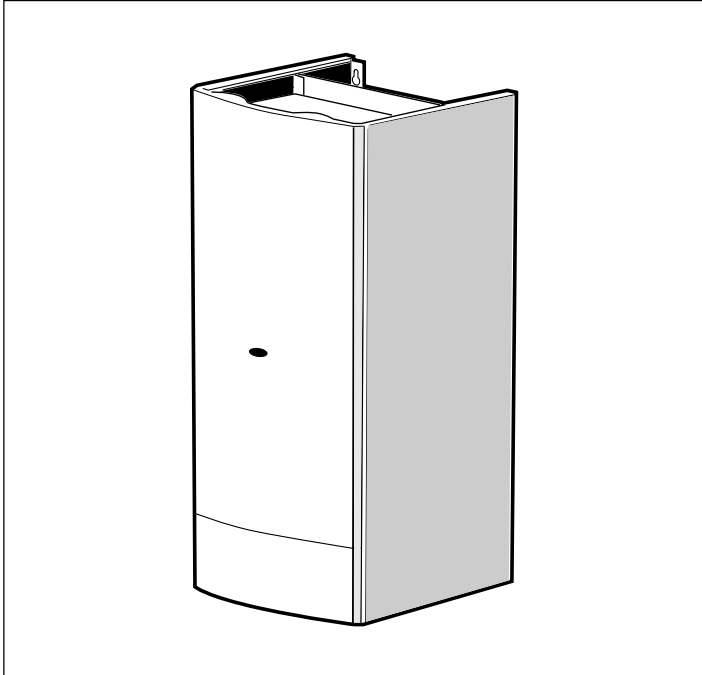
Wall mounted,  
gas fired fanned flue  
combination boiler

# HENRAD

Henrad C80 FF ..... G.C. Appliance No. 47 348 08

Henrad C95 FF ..... G.C. Appliance No. 47 348 09

Natural Gas Models Only



## ***Minimum Clearances***

The minimum clearances given below must be complied with in order to maintain the safe running of the boiler and to facilitate servicing.

- Above the boiler** - 160 mm (6 1/4")
- At LH side of the boiler** - 15 mm (5/8")
- At RH side of the boiler** - 35 mm (1 3/8")

**Underneath the boiler casing:**  
for service - 150 mm (6")

**Front of the boiler:**  
for service - 450 mm (18")

## ***Important Notes***

1. THIS APPLIANCE MUST NOT BE OPERATED WITHOUT THE INNER FRONT SEALING PANEL BEING CORRECTLY FITTED.

### **2. Compartment Installations**

If the boiler is installed in a compartment then the compartment MUST NOT be used for storage purposes.

Ventilation provided for boilers installed in compartments MUST NOT be blocked, and a check should be made periodically that the ventilation areas are free from any obstruction.

3. If it is known or suspected that a fault exists on the boiler then it MUST NOT BE USED until the fault has been corrected by a CORGI registered installer.

## ***Safety***

**Gas Safety (Installation and Use) Regulations, 1994, Amendments 1996 or the rules in force.** In your own interest, and that of safety, it is the law that this boiler must be installed by a CORGI registered installer, in accordance with the above regulations.

*It is essential that the instructions in this booklet are strictly followed, for safe and economical operation of the boiler.*

*Tampering with sealed components or incorrect use of the boiler will invalidate the boiler guarantee.*

### **CAUTION.**

To avoid the possibility of injury during the installation, servicing or cleaning of this appliance care should be taken when handling edges of sheet steel components.

## ***Electricity Supply***

This appliance must be connected to the supply via a double-pole switch, fused at 3 A.

## ***Escape of gas***

Should a gas leak or fault be suspected contact your local gas supplier without delay.

*Do NOT search for gas leaks with a naked flame.*

## ***Cleaning***

For normal cleaning simply dust with a dry cloth.

To remove stubborn marks and stains use a damp cloth and mild detergent.

DO NOT use abrasive cleaning materials.

## ***Maintenance***

The appliance should be serviced at least once a year by a CORGI registered installer.

### **IMPORTANT - DRAINING THE SYSTEM**

It is *not* good practice to drain off radiators to decorate behind them. In the case of sealed system boilers, such as this C80 FF, this will lower the system pressure AND MAY CAUSE THE BOILER TO STOP WORKING.

**CAUTION. To avoid the possibility of injury during the installation, servicing or cleaning of this appliance care should be taken when handling edges of sheet steel components.**

## Control of water temperature

### DOMESTIC HOT WATER

The domestic hot water draw-off temperature is normally limited by the modulating gas control to approximately 60 °C at the minimum water draw-off rate of about 3.5 litre/min. (0.75 g.p.m.). It can be varied between 60 °C and 35 °C by adjusting the hot water temperature control (C).

### CENTRAL HEATING

The boiler modulating control automatically maintains the central heating radiator temperature between 84 °C and 40 °C by adjusting the variable heating temperature control (B).

If your system includes a room thermostat the heating temperature control (B) may be left in its maximum position.

If your household includes very young or elderly people you may, however, reduce this setting, for safety reasons.

## To light the boiler *(see illustration right)*

### Summer Conditions - Domestic Hot Water Only

Set the main switch (A) to HOT WATER.

**Note.** Whenever domestic hot water is drawn off, the boiler will fire to provide hot water at the tap.

### Winter Conditions - Central Heating & Domestic Hot Water

Set the main switch (A) to HEATING & HOT WATER.

The boiler will fire and supply heat to the radiators but will give priority to domestic hot water when required.

## To shut down the boiler

Set the main switch (A) to OFF.

When heating is again required, restore the switch to the HOT WATER or HEATING & HOT WATER.

## Frost

If no frost protection is provided and frost is likely during a short absence from home, leave the heating control (B) at a reduced temperature setting.

For longer periods, the entire system should be drained - including the domestic water supply .

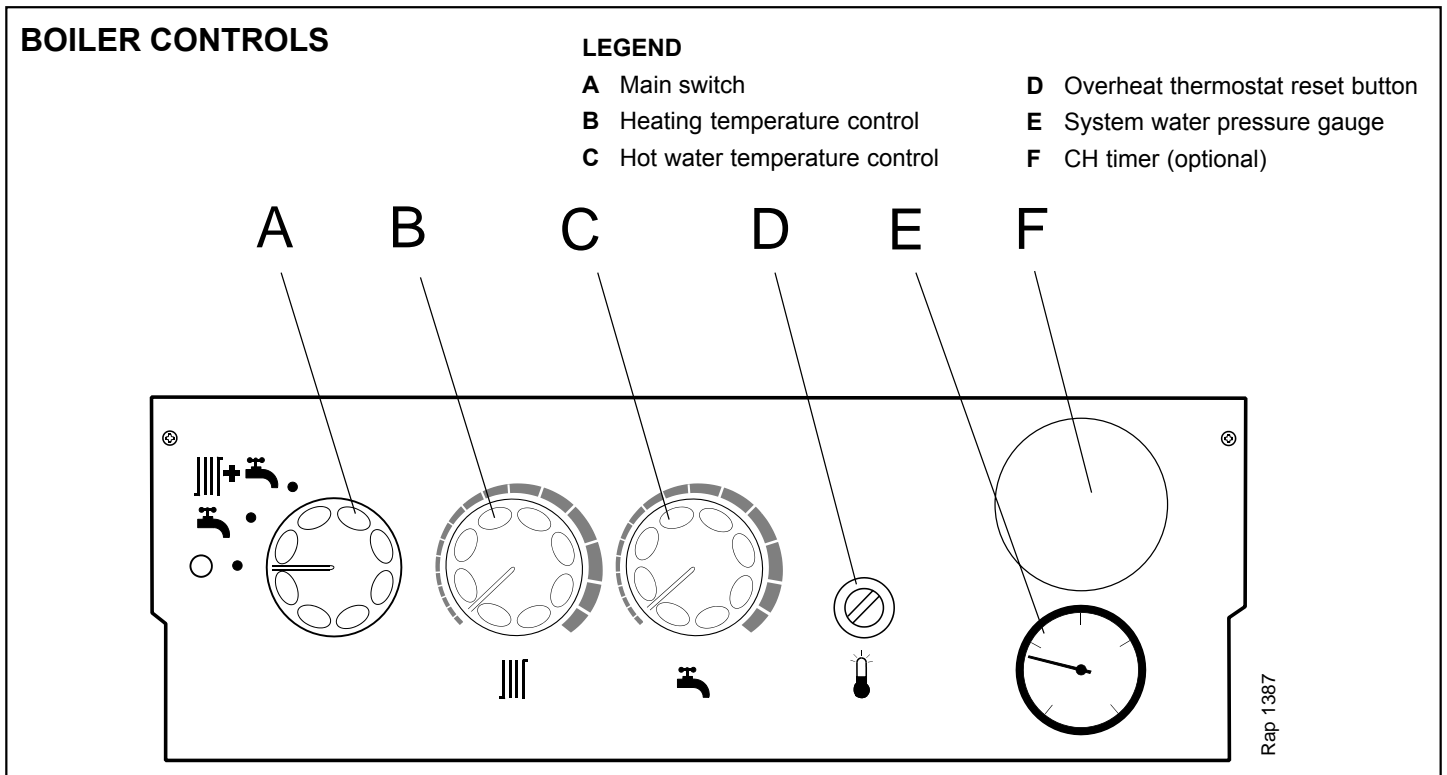
If the system includes a frost thermostat then, during cold weather, the boiler should be turned OFF by selecting the OFF programme at the time control.

The mains supply should be left switched ON.

If in doubt, ask your installer.

## To relight the boiler

Repeat the procedure detailed in 'To light the boiler'.



All CORGI registered installers carry a CORGI ID card, and have a registration number. Both should be recorded in your **Benchmark** Log Book. You can check your installer by calling CORGI direct on 0156 372 300.

THE LOG BOOK SHOULD BE COMPLETED AFTER  
EACH SERVICE AND KEPT WITH THESE  
INSTRUCTIONS

**benchmark**<sup>TM</sup>

## ***Faults***

### **A. No heating or hot water**

Check that gas and electricity are available at the boiler and that all switches are on.

Check that the system water pressure gauge (E) reads at least 0.5 bar.

Check that the overheat thermostat has not tripped. Remove cover and press button (D) to reset.

Turn the main switch (A) to OFF (O) position, wait 5 seconds and return to desired setting.

If these simple checks fail to solve the problem, or the problem recurs, consult your service engineer.

### **B. Hot water but no heating**

Check that the CH timer and room thermostat (if fitted) are both calling for heat.

If these simple checks fail to solve the problem, or the problem recurs, consult your service engineer.

### **C. Heating but no hot water**

Check that *cold* water does flow out of the hot taps at a minimum rate of 3.5 litres per minute (or 1 pint in 10 seconds or less).

If not, look for stop valves not fully open.

If these simple checks fail to solve the problem, or the problem recurs, consult your service engineer.



***The code of practice for the installation,  
commissioning & servicing of central heating systems***

Caradon Plumbing Limited is a member of the Benchmark initiative and fully supports the aims of the programme. Benchmark has been introduced to improve the standards of installation and commissioning of central heating systems in the UK and to encourage the regular servicing of all central heating systems to ensure safety and efficiency.

**Caradon Plumbing Limited**, P.O. Box 103, National Ave, Kingston upon Hull, HU5 4JN. Telephone: 01482 492 251 Fax: 01482 448 858. Registration No. London 322 137.

**Caradon Plumbing Limited** pursues a policy of continuing improvement in the design and performance of its products. The right is therefore reserved to vary specification without notice.

January 2001

156 354 A01

# **HENRAD**

***Henrad Consumer Helpline: 01482 498660***